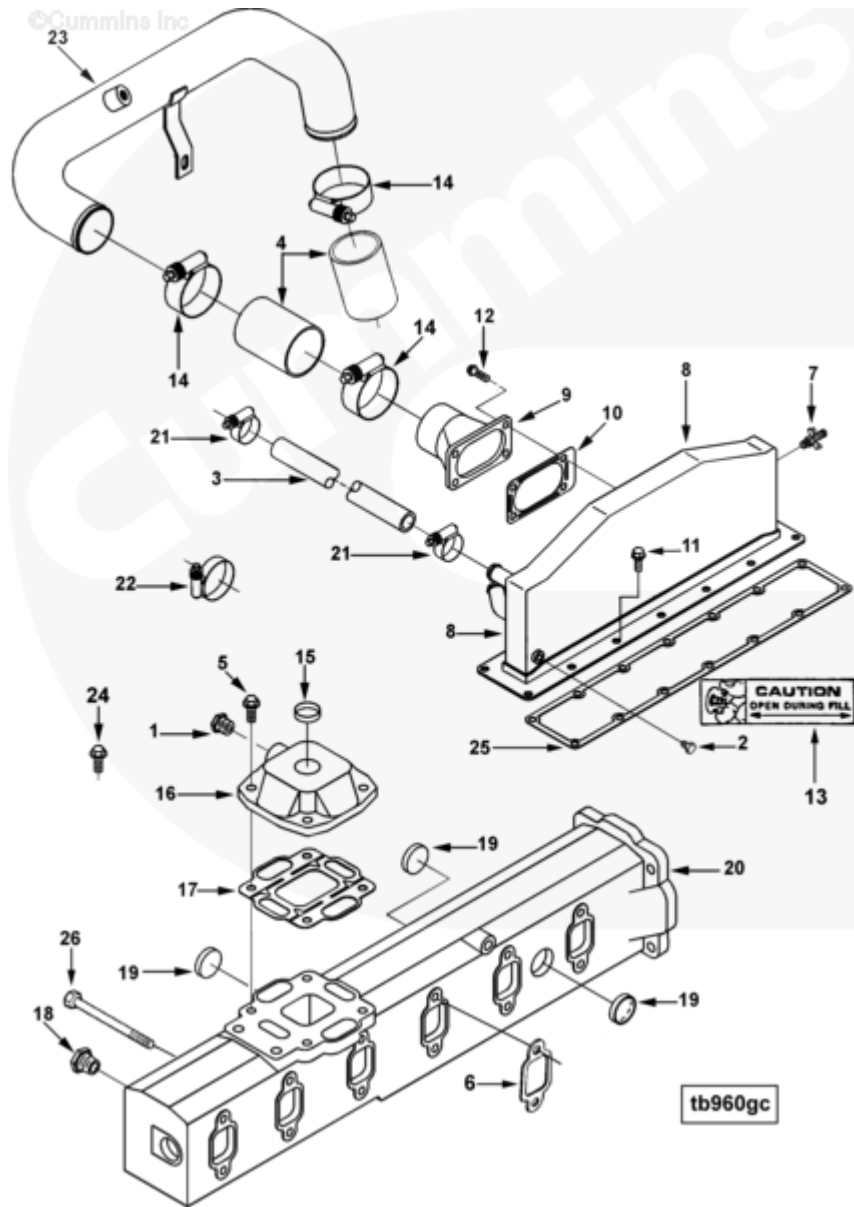




Parts Catalog - Option Detail

Electronic Parts Catalog - Option Detail				
Option	Group	Graphic	Film Card	Date
TB9087-04	10.06.1	tb960gc	T	08-JAN-92
Engines	4B3.9, 6A3.4, 6B5.9, B GAS INTERNATIONAL CM556, B4.5, B4.5 CM2350 B129B, B4.5 CM2350 B146C, B4.5 CM2350 B147B, B4.5 RGT, B4.5S, B5.9 G, B5.9 GAS PLUS CM556, B5.9 LPG, B5.9 LPG PLUS CM556, B6.7 CM2350 B121B, B6.7 CM2350 B135B, B6.7 CM2350 B136C, B6.7 CM2350 B148B, B6.7 G CMOH6.0 B125, B6.7N CM2380 B150B, B6.7S, F3.8 CM2350 F120B, F3.8 CM2350 F128C, F3.8 CM2350 F132B, F3.8 F102, G3.9, G5.9, G5.9 CM558, ISB (CHRYSLER), ISB CM2150, ISB CM2150 E, ISB CM550, ISB CM850, ISB/ISD4.5 CM2150 B119, ISB/ISD4.5 CM2150 SN, ISB/ISD6.7 CM2150 B120, ISB/ISD6.7 CM2150 SN, ISB/ISD6.7 CM2880 B126, ISB3.9 CM2220 B107, ISB4.5 CM2150, ISB5.9G CM2180, ISB6.7 2010 DCX PICKUP, ISB6.7 2013 DCX CHASSIS CAB, ISB6.7 CM2150 SQ, ISB6.7 CM2250, ISB6.7 CM2350 B101, ISB6.7 CM2350 B103, ISB6.7 CM2350 B142, ISB6.7 CM2670 B153B, ISB6.7 G CM2180 B118, ISBE CM2150, ISBE CM800, ISBE2/ISBE3 CM850, ISBE4 CM850, ISD4.5 CM2150, ISD6.7 CM2880 D101, ISF2.8 CM2220, ISF2.8 CM2220 AN, ISF2.8 CM2220 EC, ISF2.8 CM2220 ECF2, ISF2.8 CM2220 F101, ISF2.8 CM2220 F117, ISF2.8 CM2220 F122, ISF2.8 CM2220 F126, ISF2.8 CM2220 F129, ISF2.8 CM2220 IAN, ISF3.8 CM2220, ISF3.8 CM2220 AN, ISF3.8 CM2220 F103, ISF3.8 CM2220 F110, ISF3.8 CM2220 F116, ISF3.8 CM2220 F134B, ISF3.8 CM2220 IAN, ISF3.8 CM2350 F109, ISF4.5 CM2220 F123, ISG11 CM2880 G106, ISG11 CM2880 G108, ISG12 CM2880 G107, ISG12 CM2880 G109, ISG12 G CMOH6.0 G111, QSB3.9 30 CM550, QSB3.9 CM2880 B138, QSB4.5 30 CM550, QSB4.5 CM2150 B108, QSB4.5 CM2250 B131, QSB4.5 CM2250 EC, QSB4.5 CM2350 B106, QSB4.5 CM2350 B122			



SMALL | MEDIUM | LARGE

Cart	Ref No	Part Number	Part Description	Required	Remarks
View My Cart					
		TB9087-04	Turbocharger Location		Rear Mount Turbocharger...(More)
					Location for 6 BTA5.9 marine
					engine with Jacket Water
					Aftercooling.
					DEP built engines may use
					3912029 and
					3914486 as variant content,
					in place of
					3914616 and 3914617. The

					3279246 and 3279250 hoses may
					be
					used to replace the 3916438
					and
					3916437 hoses.
<input type="checkbox"/>	1	S 931 C	Reducing Pipe Bushing	1	1/2 NPTF(Ext) X 1/8 NPTF(Int)
<input type="checkbox"/>	2	S 949 B	Pipe Plug	1	1/8 NPT
<input type="checkbox"/>	3	3914025	Plain Hose	1	
<input type="checkbox"/>	4	3916437	Plain Hose	2	
<input type="checkbox"/>	5	3902460	Hexagon Flange Head Cap Screw	4	M10 X 1.50 X 25.
	6	3905443	Exhaust Manifold Gasket	6	
<input type="checkbox"/>	7	3909394	Draincock	1	1/8 NPTF
<input type="checkbox"/>	8	3910282	Aftercooler	1	
<input type="checkbox"/>	9	3914617	Air Crossover Connection	1	
<input type="checkbox"/>	10	3914856	Connection Gasket	1	
<input type="checkbox"/>	11	3918108	Hexagon Flange Head Cap Screw	14	M8 X 1.25 X 16
<input type="checkbox"/>	12	3900631	Hexagon Flange Head Cap Screw	4	M8 X 1.25 X 25.
<input type="checkbox"/>	13	3910778	Information Decal	1	
<input type="checkbox"/>	14	3918521	Hose Clamp	3	59 - 83 mm
<input type="checkbox"/>		3920946	Water Transfer Connection	1	
<input type="checkbox"/>	15	3007636	Expansion Plug	1	
	16	3920945	Water Transfer Connection	1	
<input type="checkbox"/>	17	3916300	Turbocharger Gasket	1	
<input type="checkbox"/>		3920951	Exhaust Manifold	1	
<input type="checkbox"/>	18	3008468	Pipe Plug	1	1/2 NPT.
<input type="checkbox"/>	19	3908092	Expansion Plug	3	
<input type="checkbox"/>	20	3920950	Exhaust Manifold	1	
<input type="checkbox"/>	21	3922842	Hose Clamp	2	
<input type="checkbox"/>	22	3922849	Hose Clamp	1	

<input type="checkbox"/>	23	3914616	Air Tube	1	
<input type="checkbox"/>	24	3903112	Hexagon Flange Head Cap Screw	4	M10 X 1.50 X 30.
	25	3914029	Intake Manifold Cover Gasket	1	TCL use Only
<input type="checkbox"/>	26	3916518	Hexagon Flange Head Cap Screw	12	M10 X 1.50 X 125.

© 2019 Cummins Inc., Box 3005, Columbus, IN 47202-3005 U.S.A.
Terms of Use and Disclaimers | Recommended System Requirements
Need Assistance? Please click on the Contact Us button in the top right corner of any page.